

Folding, Jointing, Rebating and Chamfering cutter Category CNC

Hard wearing aluminum body, complete with 2+2 down shears. Disposable straight knives, creating V shape. Suitable for rebating, chamfering, table legs jointing and V shape slots in soft wood, hardwood and laminate particle boards.

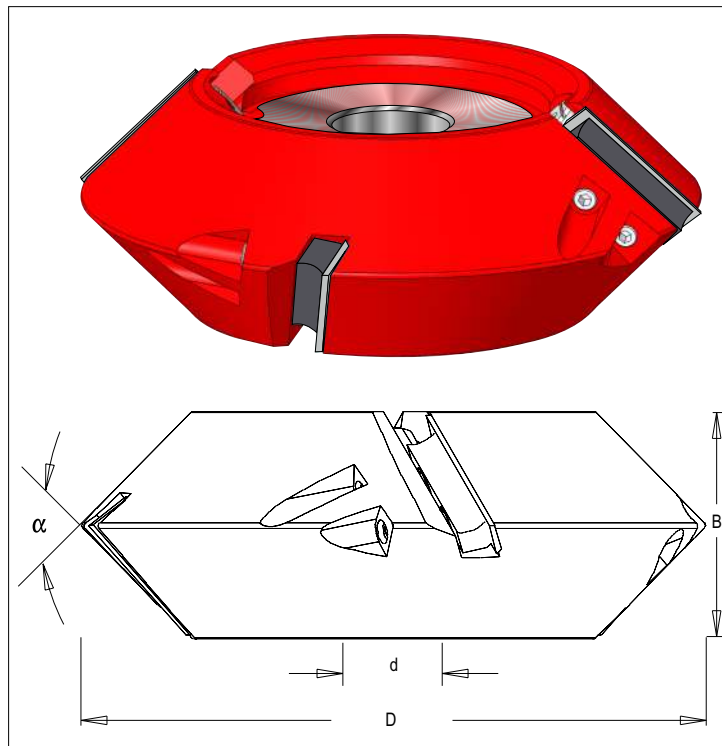
Tool no.	D	d	B	Teeth	α	RPM
K168C160	160mm	1 1/4"	56mm	2 + 2	90°	5,000-8,000



Hand feed



Aluminum Body



Replacement Parts:



T.C. Blade
L40
40x12x1.5



Wedge
1990402
L=32mm



Allen Screw
1930265
M6x16



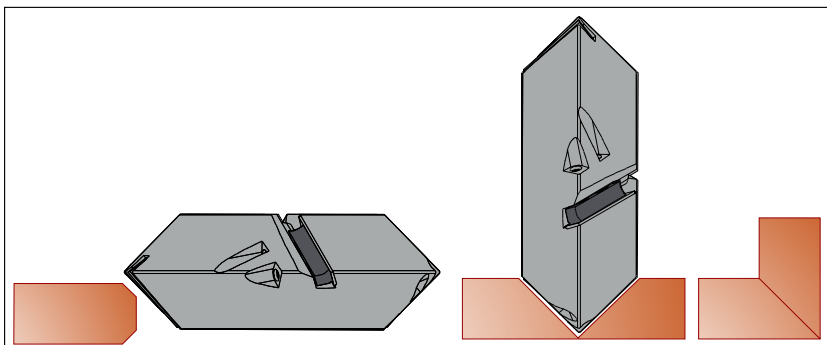
Allen Screw
1930710
M4x16



Allen Key
1940035
S3



Allen Key
1940200
S2



Number of sides	α	B	α^1
5	108°	9°	54°
6	120°	15°	60°
8	135°	22.5°	67.5°
10	144°	27°	72°
12	150°	30°	75°

